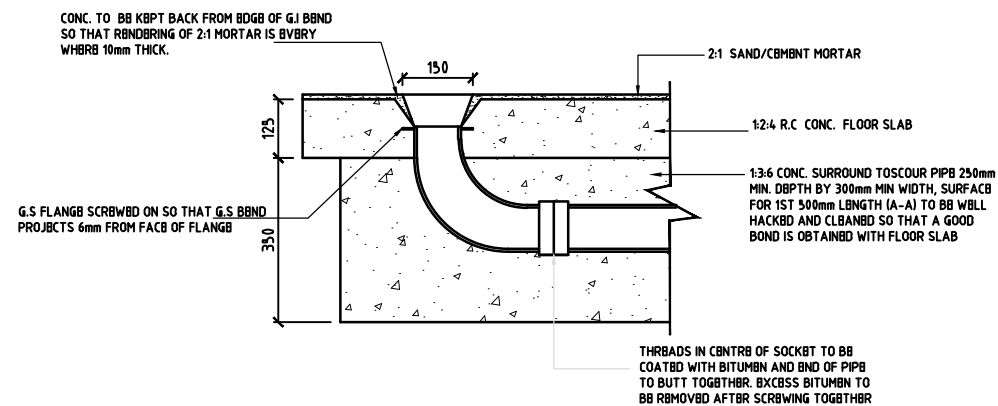


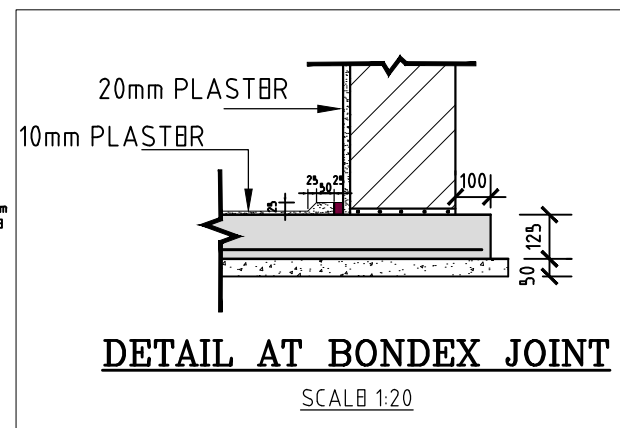
SECTION THRO' TANK ON CENTRE LINE

SCALE 1:50



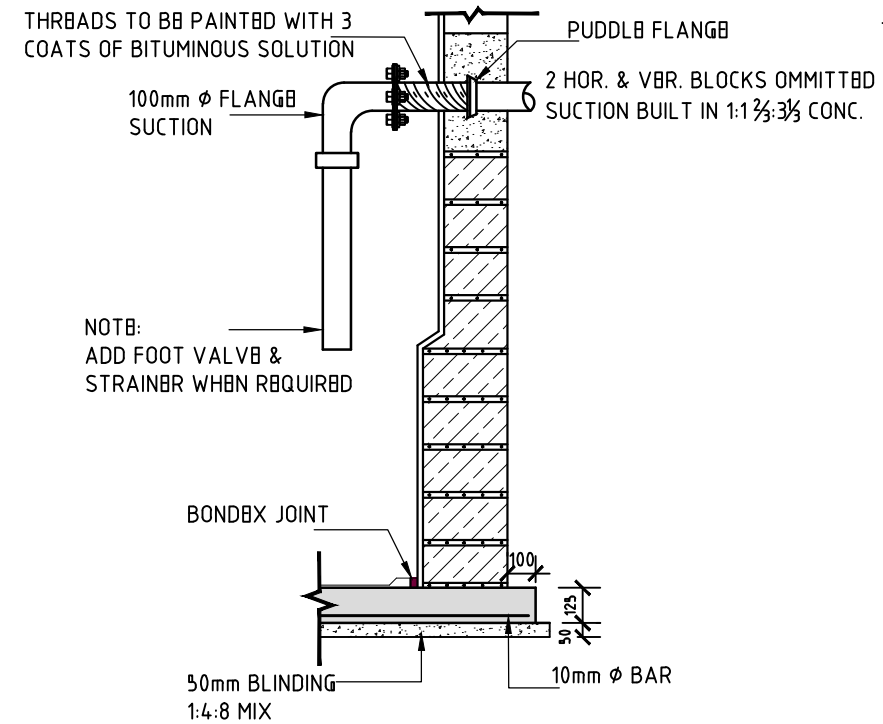
DETAIL OF 100mm SCOUR PIPE

SCALE 1:15



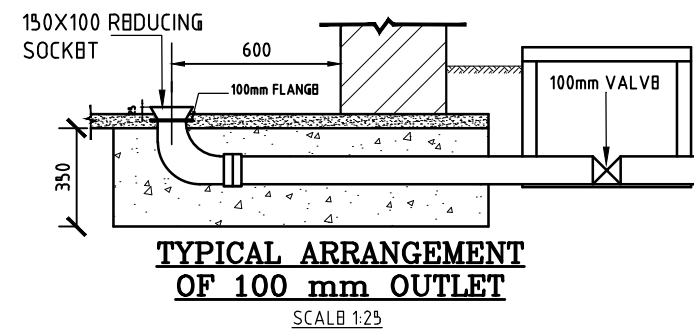
DETAIL AT BONDEX JOINT

SCALE 1:20



SUCTION PIPE ARRANGEMENT

SCALE 1:25



TYPICAL ARRANGEMENT OF 100 mm OUTLET

SCALE 1:25

NOTES

1. Read this drawing in conjunction with relevant Plans and section drawings. Any discrepancy to be reported to the Engineer.
2. All dimensions are in Millimeters unless specified otherwise.
3. All levels are indicated in mm unless specified otherwise.
4. All structural concrete to be Class 25 (1:1.5:3) unless stated otherwise.
5. Only figured dimensions to be read, no scaling is allowed on this drawing.
6. Nominal aggregate size to be 20mm.

REV	REVISIONS	SGN	DATE	APPROVED
D		BY		
		CHECKED		
C		BY		
		CHECKED		
B		BY		
		CHECKED		
A		BY		
		CHECKED		

PROJECT
CONSTRUCTION OF MERTI - KORBESA WATER SUPPLY

Client: **Northern Water Services Board (NWSB)**
P.o Box 495-70100
Garissa - Kenya

Funding Agency: **GOVERNMENT OF KENYA**
Ministry of Water and Irrigation
P.o Box
Nairobi - Kenya

Project: **STANDARD DRAWINGS**
225M3 MASONRY STORAGE TANK

Consultant: **Northern Water Services Board (NWSB)**
P.o Box 495-70100
Garissa - Kenya

Drawing Title:
225M3 MASONRY STORAGE TANK SECTIONS

Surveyed by G. N. Drawn by J. M.
Checked by G. N. Approved by: **Eng. Nderi**

Scale: 1:2000 Date: June 2020

Job No. Sheet 1 of 6

DRAWING No. NWSB/EAWS/WJ/001